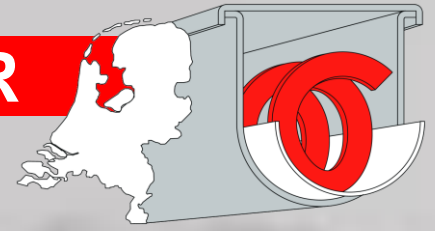


SAND SEPARATOR



Dutch Spiral



BENEFITS

SIMPLE AND ROBUST STAINLESS STEEL CONSTRUCTION

SHAFTLESS SPIRAL PREVENTS MATERIAL BUILD UP

NO UNDERWATER BEARINGS

LOW OPERATING COSTS DUE TO DIRECT DRIVE WITH LOW POWER CONSUMPTION

LOW WEAR AND TEAR DUE TO LOW ROTATIONAL SPEED

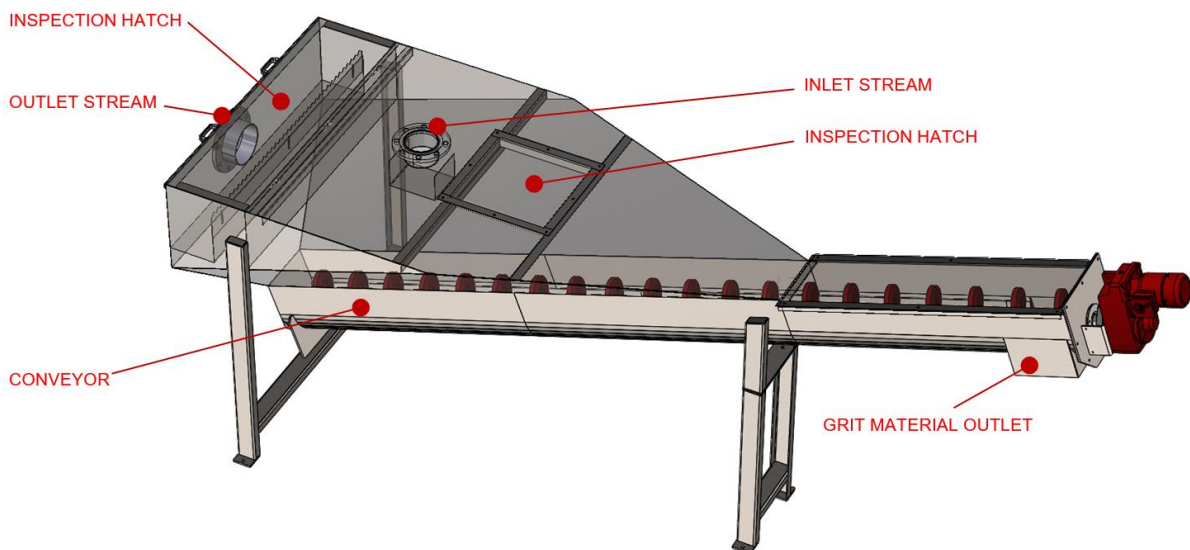
DESCRIPTION

Sand Screw Separators are used for removing fast settling solids, such as sand from influent sewage treatment and industrial wastewater plants.

The settled material is transported by Dutch Spiral's shaftless screw conveyor from the separator, as wet solids and the effluent is returned into the process.

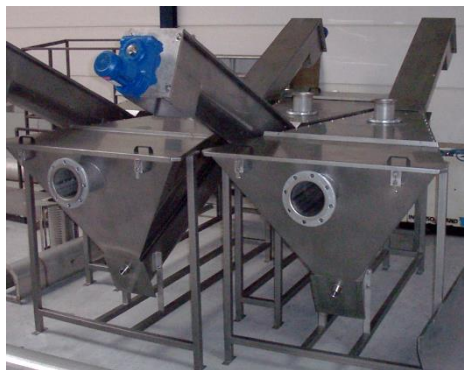
The screw is only supported by a bearing at the drive-end. The advantage of this is that the **larger particles cannot jam between the screw and trough**.

An additional advantage of only having the bearing at the top end is the **absence of bearings under water level**.

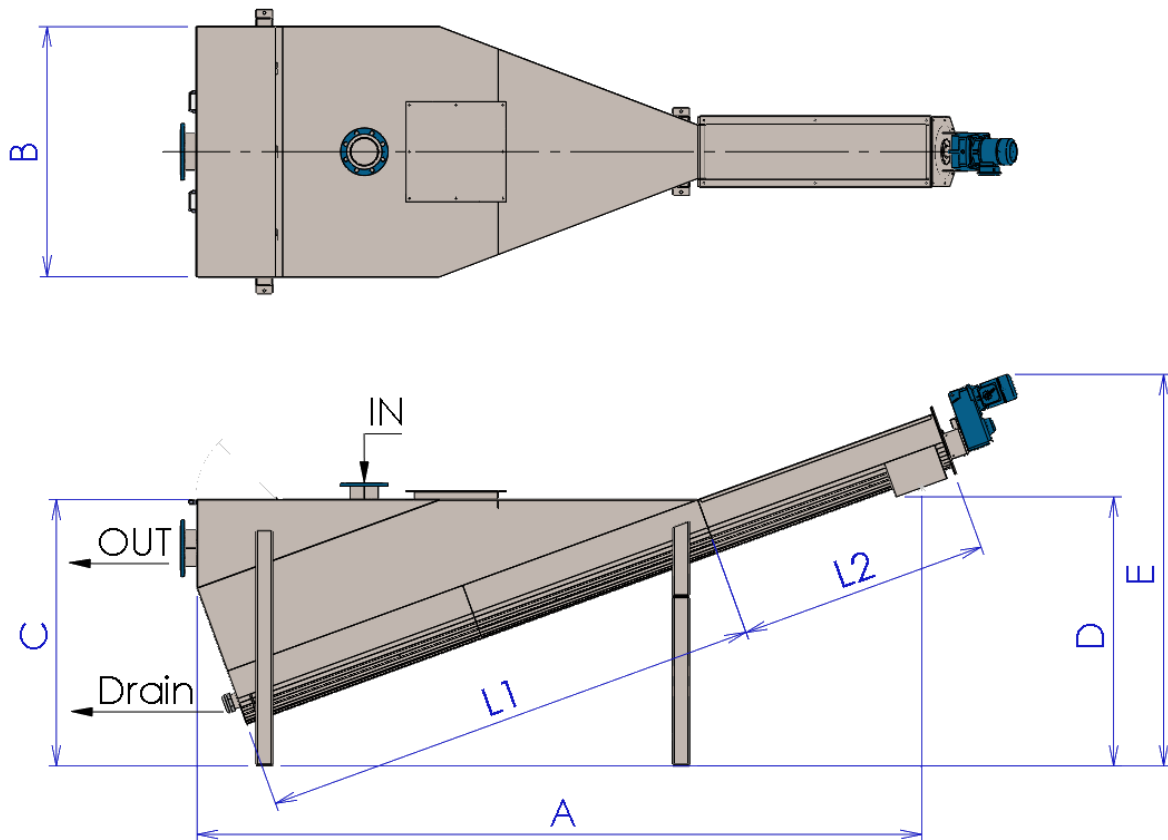


Our standard design contains bolted lids with at the front an **easy to access** inspection hatch. The hatch makes it possible to overlook the overflow weir.

Spirals need an underlayment to carry their weight. Our standard design contains **stainless steel wear bars**. Optional we have the possibility to choose for other lining such as Hardox® wear bars or Creusabro® lining. Our **experts** can help you choosing the right material for the job.



SIZING AND TECHNICAL INFORMATION



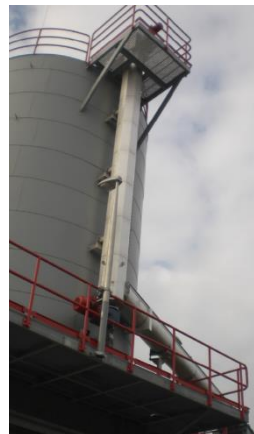
Model – Model – Modell – Modèle	260	320	360	420
Capaciteit - Capacity - Leistung - Capacité (m ³ /h)	18-43	43-72	72-97	97-126
Dim. Flow - Flow - Fluss - Flux (l/sec)	5-12	12-20	20-27	27-35
Water Area (m ²)	2,3	3	4	5
Water Volume (m ³)	1,2	1,8	3,3	4,2
A (mm)	3850	4400	5900	6300
B (mm)	1250	1500	1500	1800
C (mm)	1500	1700	2150	2150
D (mm)	1500	1700	2350	2600
E (mm)	2050	2350	2950	3300
L ₁ (mm)	3000	3000	4000	4000
L ₂ (mm)	1000	1500	2000	2000
Drain - Drain - Drainage - Drainage	G2"	G2"	G2"	G2"
Inlaat - Inlet - Zulauf - Etrée	DN100	DN150	DN200	DN200
Uitlaat - Outlet - Ablauf - Sortie	DN150	DN200	DN250	DN250
P (kW)	0,37	0,55	0,75	1,1
Spiral RPM	4,2	4,3	4,3	4,7

Dimensioning is indicative for information purposes only.

DUTCH SPIRAL

Dutch Spiral is a **family-owned** company located in the Netherlands. Our **key product** is the fabrication of spirals and products in which they perform well.

Dutch Spiral's strength lays in making custom fit, affordable, good quality products. If the standard size is not satisfying, our flexibility can help you out and can get you a **custom design**. Options are **unlimited** and our sales engineers and engineering department are used to making the right **creative solutions**.



GENERAL OFFICE AND MANUFACTURING

LORENTZWEG 9
2964LN GROOT-AMMERS
THE NETHERLANDS

TELEPHONE

(0031) 184 – 605355

FAX

(0031) 184 – 605359

HOMEPAGE

WWW.DUTCHSPIRAL.COM

