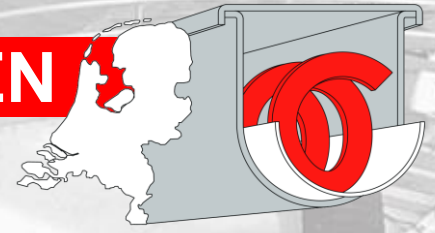
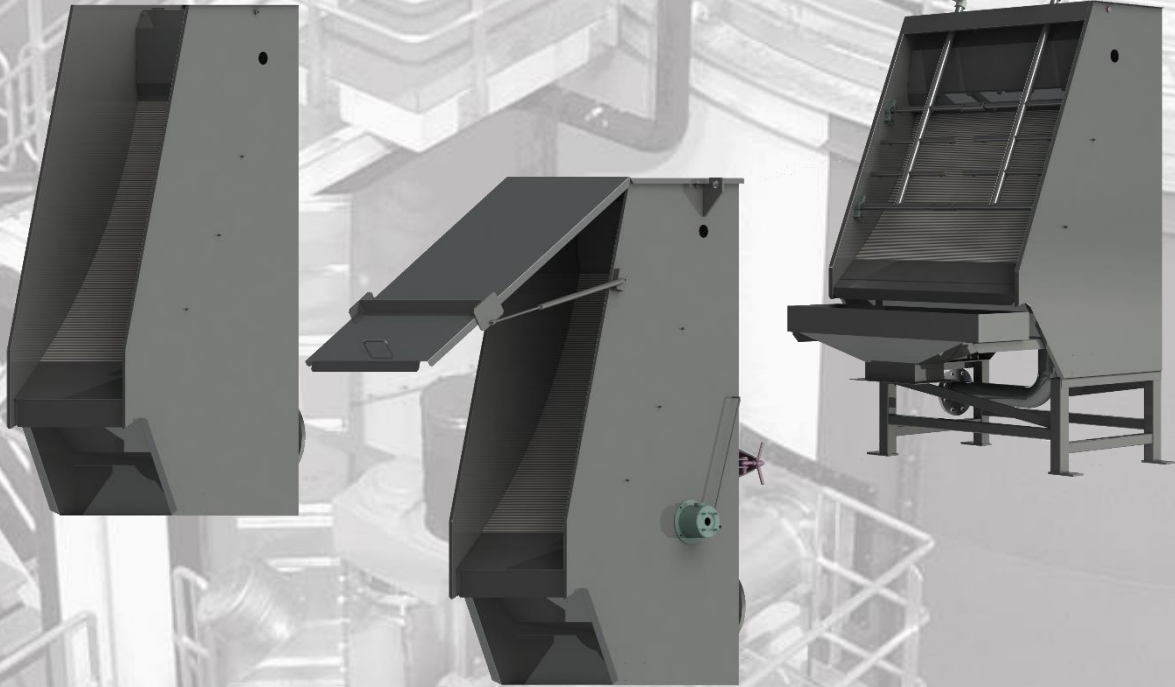


PARABOLIC SCREEN



Dutch Spiral



BENEFITS

SIMPLE AND EFFICIENT DESIGN

LOW IN MAINTENANCE

CUSTOM FIT FOR DIFFERENT KIND OF MACHINE OUTPUT

WIDE RANGE OF SLOT WIDTH

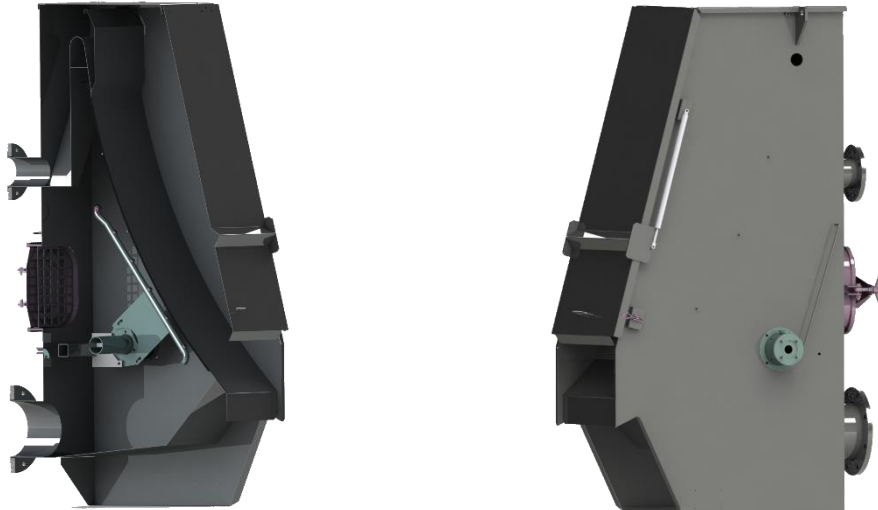
STANDARD UP TO 2 METERS IN WIDTH

STANDARD AVAILABLE IN SS 304 AND 316 OPTIONAL

DESCRIPTION

Dutch Spiral's **parabolic screens** are developed and designed for an efficient and effective way of diverting solids from process and waste water flow. Because of the wide diversity in slot width the bow sieves can be applied in many sectors.

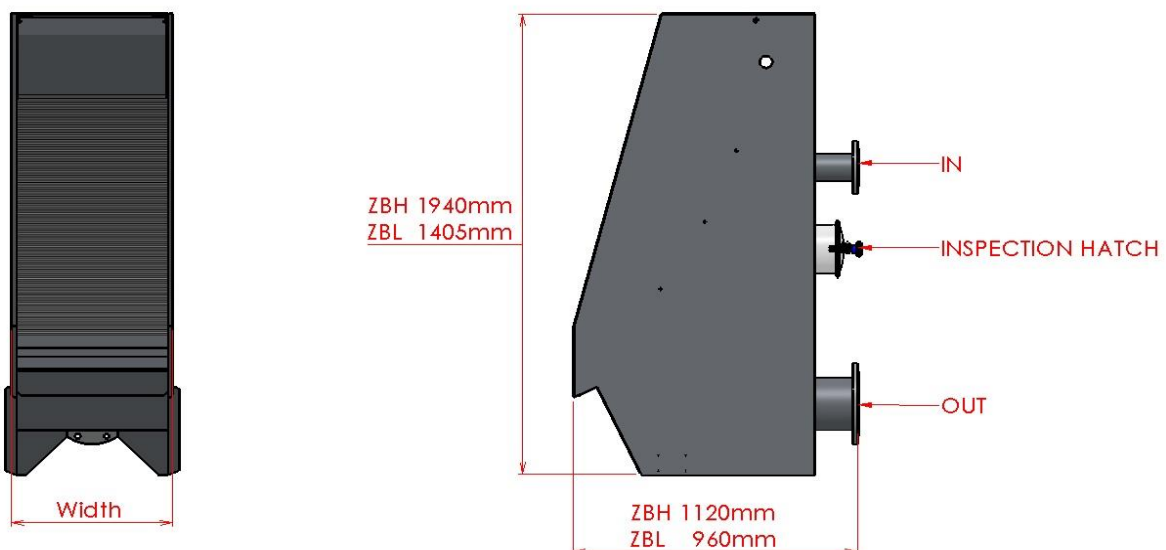
Every situation and application has other asks for a different approach which means that if the standard sizes do not meet the clients expectations there is always the possibility to go for a **tailor made** solution.



The screens are produced in such a way that the water is almost instantly been drained from the incoming flow. The length of the sieves and the specific angle of the sieves, gives the dewatered solids time to dry.

SIZING AND TECHNICAL INFORMATION

The following models are standard models. Dutch spiral can make the right parabolic screen for every required capacity and size. Contact us for more information.

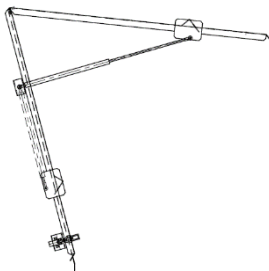


| Model | Width (mm)* | Standard Alu. Flange IN | Standard Alu. Flange OUT | Capacity m ³ /hr* with 0,5mm slot |
|----------|-------------|-------------------------|--------------------------|--|
| ZBL 500 | ±500 | DN100 | DN100 | 20 |
| ZBL 1000 | ±1.000 | DN100 | DN200 | 40 |
| ZBL 1500 | ±1.500 | DN150 | DN250 | 60 |
| ZBL 2000 | ±2.000 | DN150 | DN250 | 80 |
| ZBH 600 | ±600 | DN100 | DN200 | 43 |
| ZBH 1200 | ±1.200 | DN150 | DN200 | 86 |
| ZBH 1800 | ±1.800 | DN200 | DN300 | 130 |
| ZBH 1900 | ±1.900 | DN200 | DN300 | 137 |

* Dimensioning and capacities are indicative for information purposes only

OPTIONS

To match our costumers requirements we have several options that can be added or adjusted to the parabolic screen.



Front lid with gas spring.

- Spray-bars can be added to smoothen the extrusion flow.
- A custom chassis can be made to raise the bow sieve off the ground.
- A funnel can be added to center the debris.
- Inlet and outlet flanges can be adjusted to the required sizes.
- Lids can protect the surroundings.



Dutch spiral spray bar for maximizing the surface cleaning.

Our Dutch Spiral spray bars come in standard widths of 500mm and are easily exchanged. Every 500mm width has its own solenoid valve in order to save on water pressure. Another advantage is that the parabolic screen only cleans it's sieve when and where required. Next to our Dutch Spiral spray system we also got driven spray systems which are either pneumatic or electric driven.

DUTCH SPIRAL

Dutch Spiral is a **family-owned** company located in the Netherlands. Our **key product** is the fabrication of **spirals and products in which they perform well**.

Dutch Spiral's strength lays in making customized, affordable, good quality products. If the standard size is not suitable, our flexibility can help you out and we can build you a **custom design**. Options are **unlimited** and our sales engineers and engineering department are used to making the right **creative solutions**.



GENERAL OFFICE AND MANUFACTURING

LORENTZWEG 9
2964LN GROOT-AMMERS
THE NETHERLANDS

TELEPHONE

(0031) 184 – 605355

FAX

(0031) 184 – 605359

Homepage

WWW.DUTCHSPIRAL.COM

